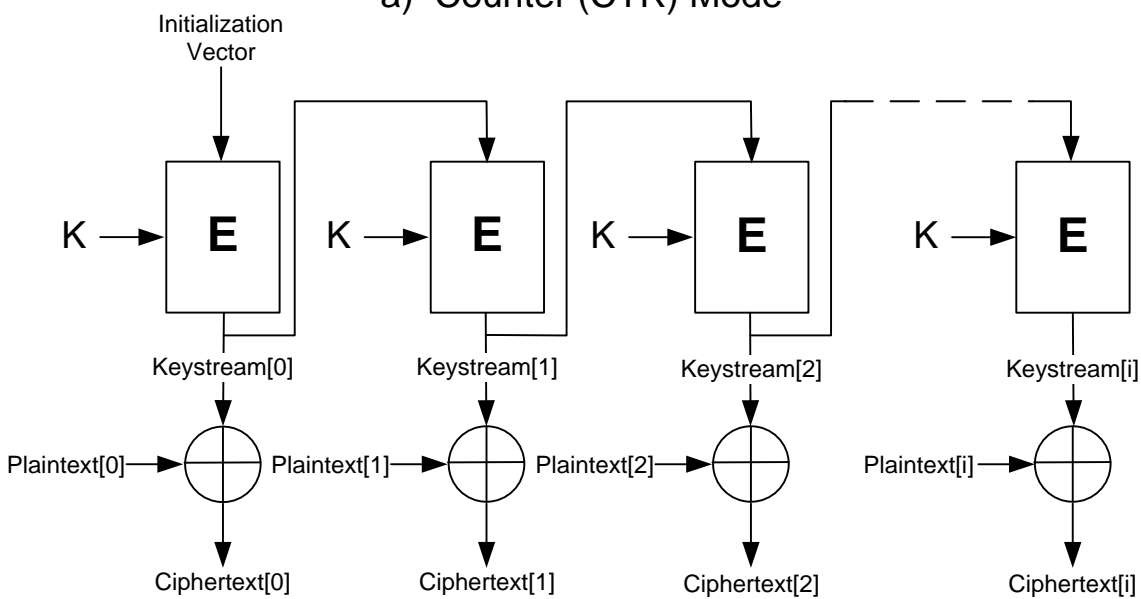


a) Counter (CTR) Mode



b) Output Feedback (OFB) Mode

Legend:  $K \rightarrow \boxed{\mathbf{E}}$  Block Cipher Encryption with Key **K**       $\oplus$  XOR Operation